

MANUTEC SPRING & CHASSIS COMPONENTS

Manutec offers a wide range of trailer springs including slipper springs, eye-eye springs, roller rocker springs, off-road springs and parabolic springs in both a painted and galv/dacromet options.

Springs can be purchased individually or as sets to suit single, tandem or tri axle trailers. All spring sets come unassembled (supplied loose).

We also offer an extensive range of spare parts and components including spring hangers, rocker arms, bushes, shackle plates, axle pads, fish plates, spring bolts, u-bolts and more.

MANUTEC SPRING RANGE



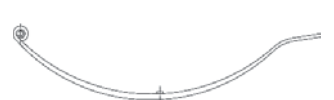
SLIPPER SPRING
45mm x 6mm
765mm LONG



SLIPPER SPRING
45mm x 8mm
710mm LONG



SLIPPER SPRING
60mm
775mm LONG



PARABOLIC SPRING
45mm
755mm LONG



EYE TO EYE SPRING
45mm x 8mm
630mm LONG
(CENTRED)



EYE TO EYE SPRING
45mm x 8mm
640mm LONG
(OFFSET)



EYE TO EYE SPRING
45mm x 8mm
715mm LONG
(CENTRED)



EYE TO EYE SPRING
60mm x 6mm
690mm LONG
(OFFSET)



ROLLER ROCKER SPRING
60mm x 7mm or 8mm
678mm LONG
(CENTRED)



ROLLER ROCKER SPRING
60mm x 7mm or 8mm
678mm LONG
(OFFSET - FRONT)



ROLLER ROCKER SPRING
60mm x 7mm or 8mm
678mm LONG
(OFFSET - REAR)



OFF-ROAD SPRING
60mm x 7mm
845mm LONG
(CENTRED)

IMPORTANT: All spring diagrams are to be used as a guide only as spring measurements may change slightly between suppliers.
NOTE: Galvanized springs may be coated with dacromet, subject to supplier availability.

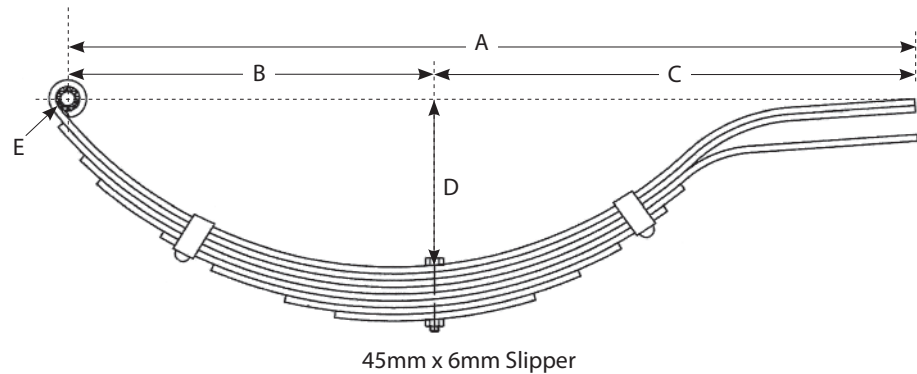
Slipper Spring - 45mm Wide

Slipper Springs 6mm

Painted	Dimensions	Load Capacity
MAN3SL6-P	45mm x 6mm x 3 leaf	500 kg
MAN4SL6-P	45mm x 6mm x 4 leaf	750 kg
MAN5SL6-P	45mm x 6mm x 5 leaf	1000 kg
MAN6SL6-P	45mm x 6mm x 6 leaf	1100 kg
MAN7SL6-P	45mm x 6mm x 7 leaf	1250 kg
MAN8SL6-P	45mm x 6mm x 8 leaf	1375 kg
MAN9SL6-P	45mm x 6mm x 9 leaf	1500 kg

Galvanised	Dimensions	Load Capacity
MAN3SL6-G	45mm x 6mm x 3 leaf	500 kg
MAN4SL6-G	45mm x 6mm x 4 leaf	750 kg
MAN5SL6-G	45mm x 6mm x 5 leaf	1000 kg
MAN6SL6-G	45mm x 6mm x 6 leaf	1100 kg
MAN7SL6-G	45mm x 6mm x 7 leaf	1250 kg
MAN8SL6-G	45mm x 6mm x 8 leaf	1375 kg
MAN9SL6-G	45mm x 6mm x 9 leaf	1500 kg

A	Spring length – eye to tail	765mm
B	Front eye to centre bolt	330mm
C	Centre bolt to tail	435mm
D	Camber	151mm
E	Bolt diameter	1/2"

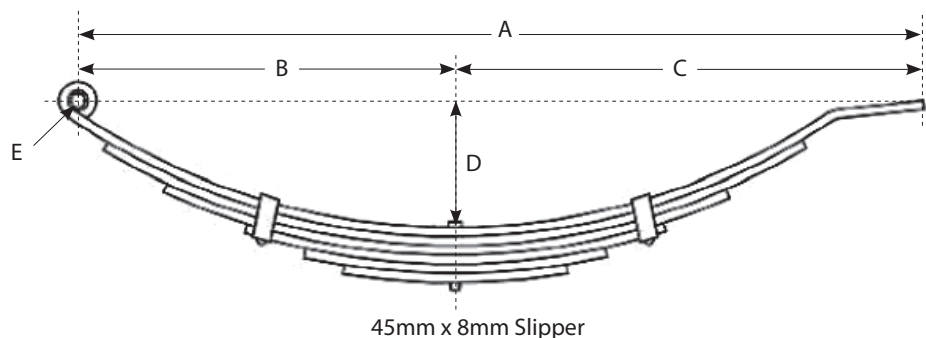


Slipper Spring - 8mm

Painted	Dimensions	Load Capacity
MAN3SL-P	45mm x 8mm x 3 leaf	850 kg
MAN4SL-P	45mm x 8mm x 4 leaf	1100 kg
MAN5SL-P	45mm x 8mm x 5 leaf	1350 kg
MAN6SL-P	45mm x 8mm x 6 leaf	1500 kg
MAN7SL-P	45mm x 8mm x 7 leaf	1700 kg

Galvanised	Dimensions	Load Capacity
MAN3SL-G	45mm x 8mm x 3 leaf	850 kg
MAN4SL-G	45mm x 8mm x 4 leaf	1100 kg
MAN5SL-G	45mm x 8mm x 5 leaf	1350 kg
MAN6SL-G	45mm x 8mm x 6 leaf	1500 kg
MAN7SL-G	45mm x 8mm x 7 leaf	1700 kg

A	Spring length – eye to tail	710mm
B	Front eye to centre bolt	350mm
C	Centre bolt to tail	360mm
D	Camber	110mm
E	Bolt diameter	14mm



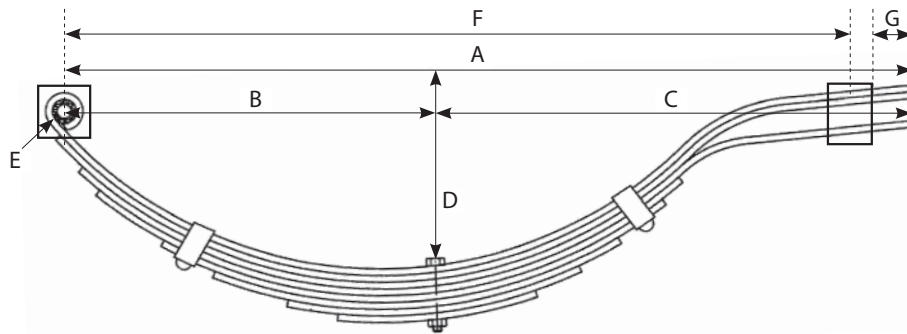
Slipper Spring Sets - 45mm Wide

45mm x 6mm Leaf

Painted	Galvanised	Dimensions	Load Capacity
MSS453S-6MM	MSS453SG-6MM	45mm x 6mm x 3 Leaf	500 kg
MSS454S-6MM	MSS454SG-6MM	45mm x 6mm x 4 Leaf	750 kg
MSS455S-6MM	MSS455SG-6MM	45mm x 6mm x 5 Leaf	1000 kg
MSS456S-6MM	MSS456SG-6MM	45mm x 6mm x 6 Leaf	1100 kg
MSS457S-6MM	MSS457SG-6MM	45mm x 6mm x 7 Leaf	1250 kg
MSS458S-6MM	MSS458SG-6MM	45mm x 6mm x 8 Leaf	1375 kg
MSS459S-6MM	MSS459SG-6MM	45mm x 6mm x 9 Leaf	1500 kg

A	Spring length – eye to tail	765mm
B	Front eye to centre bolt	330mm
C	Centre bolt to tail	435mm
D	Camber	151mm
E	Bolt diameter	1/2"
F	Front eye to centre of rear hanger	725mm
G	Tail protrusion	20mm

Note: Rear hanger width is 40mm



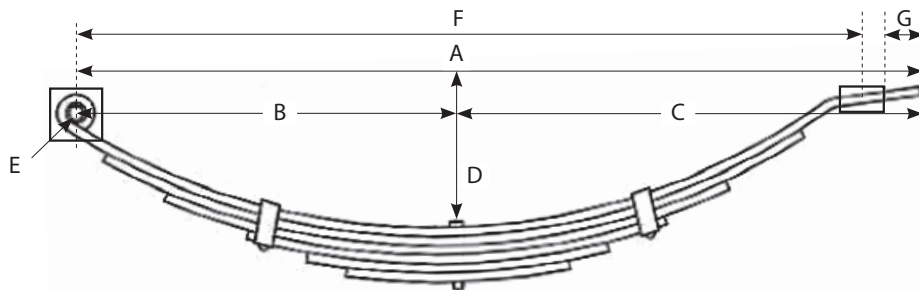
Note: to order spring set to suit axle size add -39RD/-40SQ/-45RD/-45SQ/-50RD/-50SQ to the above codes i.e MSS457S-6MM-45SQ

45mm x 8mm Leaf

Painted	Galvanised	Dimensions	Load Capacity
MSS453S	MSS453SG	45mm x 8mm x 3 Leaf	850kg
MSS454S	MSS454SG	45mm x 8mm x 4 Leaf	1100kg
MSS455S	MSS455SG	45mm x 8mm x 5 Leaf	1350kg
MSS456S	MSS456SG	45mm x 8mm x 6 Leaf	1500kg
MSS457S	MSS457SG	45mm x 8mm x 7 Leaf	1700kg

A	Spring length – eye to tail	710mm
B	Front eye to centre bolt	350mm
C	Centre bolt to tail	360mm
D	Camber	110mm
E	Bolt diameter	14mm
F	Front eye to centre of rear hanger	670mm
G	Tail protrusion	20mm

Note: Rear hanger width is 40mm



Note: to order spring set to suit axle size add -39RD/-40SQ/-45RD/-45SQ/-50RD/-50SQ to the above codes i.e MSS457S-8MM-45 SQ

45mm slipper spring sets are supplied with the following:

Please specify axle size, when ordering, so we can provide the correct size Ubolts

- 2 springs
- 2 front hangers
- 2 rear hangers
- 2 eye bolts
- 4 Ubolts
- 2 fish plates
- 2 axle pads

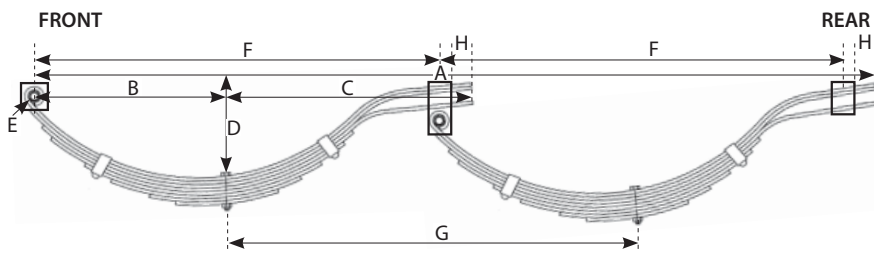


Tandem Slipper Spring Sets - 45mm Wide

6mm Leaf

Painted	Galvanised	Dimensions	Load Capacity	ATM
MSST455S-6MM	MSST455SG-6MM	45mm x 6mm x 5 Leaf	2000kg	1650kg
MSST456S-6MM	MSST456SG-6MM	45mm x 6mm x 6 Leaf	2200kg	1800kg
MSST457S-6MM	MSST457SG-6MM	45mm x 6mm x 7 Leaf	2500kg	2050kg
MSST458S-6MM	MSST458SG-6MM	45mm x 6mm x 8 Leaf	2750kg	2250kg
MSST459S-6MM	MSST459SG-6MM	45mm x 6mm x 9 Leaf	3000kg	2500kg

*See ADR note below regarding wheel centre and 120% capacity requirement.



Note: To order spring set to suit axle size add -39RD/-40SQ/-45RD/-45SQ/-50RD/-50SQ to the above codes i.e. MSST456S-6MM-45SQ

ADR NOTE: Tandem slipper springs can only be used in a close coupled axle group where the axle centres are not more than one metre apart. Additionally, the load carrying capacity of each axle must be 120% of the ATM otherwise a load sharing suspension must be used.

Note: Dimensions A and F are a guide only.

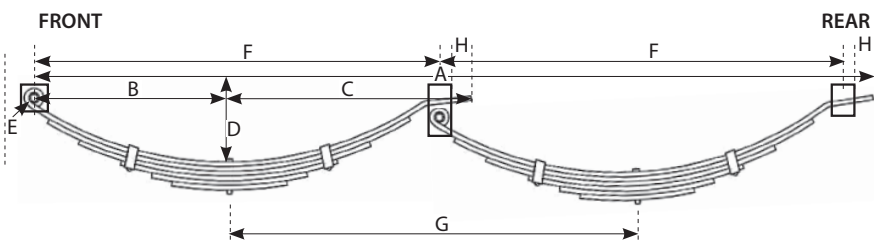
* Spring length – eye to tail	765mm
A Front hanger to rear hanger	1450mm
B Front eye to centre bolt	330mm
C Centre bolt to tail	435mm
D Camber	151mm
E Bolt diameter	1/2"
F Front eye to centre of next hanger	725mm
G Axle Centres	725mm
H Tail protrusion	20mm

Note: Centre & rear hanger width is 40mm

8mm Leaf

Painted	Galvanised	Galvanised	Load Capacity	ATM
MSST453S-8MM	MSST453SG-8MM	45mm x 8mm x 3 Leaf	1700kg	1400kg
MSST454S-8MM	MSST454SG-8MM	45mm x 8mm x 4 Leaf	2200kg	1800kg
MSST455S-8MM	MSST455SG-8MM	45mm x 8mm x 5 Leaf	2700kg	2250kg
MSST456S-8MM	MSST456SG-8MM	45mm x 8mm x 6 Leaf	3000kg	2500kg
MSST457S-8MM	MSST457SG-8MM	45mm x 8mm x 7 Leaf	3400kg	2800kg

*See ADR note below regarding wheel centre and 120% capacity requirement.



Note: To order spring set to suit axle size add -39RD/-40SQ/-45RD/-45SQ/-50RD/-50SQ to the above codes i.e. MSST456S-8MM-45SQ

ADR NOTE: Tandem slipper springs can only be used in a close coupled axle group where the axle centres are not more than one metre apart. Additionally, the load carrying capacity of each axle must be 120% of the ATM otherwise a load sharing suspension must be used.

Note: Dimensions A and F are a guide only.

45mm tandem slipper spring sets are supplied with the following:
Please specify axle size, when ordering, so we can provide the correct size U-bolt

- 4 springs
- 2 front hangers
- 2 rear hangers
- 2 centre hangers
- 4 eye bolts
- 8 Ubolts
- 4 fish plates
- 4 axle pads



* Spring length – eye to tail	710mm
A Front hanger to rear hanger	1340mm
B Front eye to centre bolt	350mm
C Centre bolt to tail	360mm
D Camber	110mm
E Bolt diameter	14mm
F Front eye to centre of next hanger	670mm
G Axle Centres	670mm
H Tail protrusion	20mm

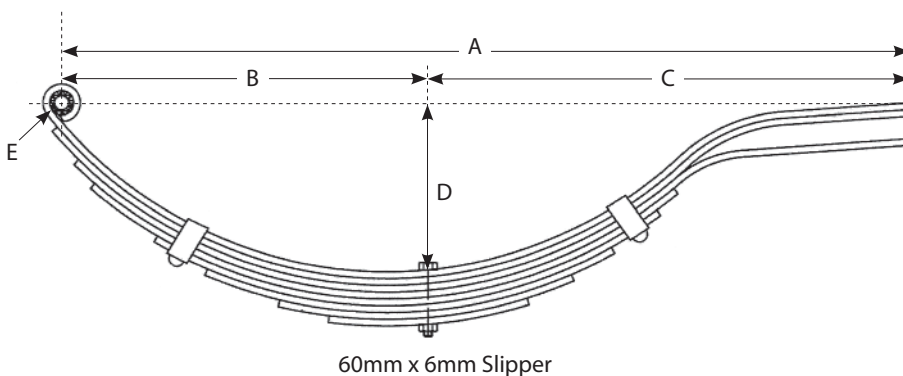
Note: Centre & rear hanger width is 40mm

Slipper Springs - 60mm Wide

Painted	Dimensions	Load Capacity
MAN7SL-P-60	60mm x 6mm x 7 Leaf	1400kg
MAN8SL-P-60	60mm x 6mm x 8 Leaf	1500kg

Galvanised	Dimensions	Load Capacity
MAN7SL-G-60	60mm x 6mm x 7 Leaf	1400kg
MAN8SL-G-60	60mm x 6mm x 8 Leaf	1500kg

A	Spring length – eye to tail	775mm
B	Front eye to centre bolt	334 mm
C	Centre bolt to tail	441 mm
D	Camber	150mm
E	Shackle bolt diameter	16mm

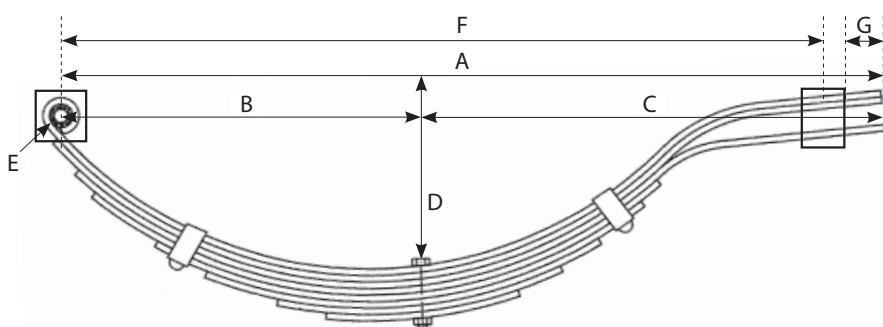


Slipper Spring Sets - 60mm Wide

Painted	Dimensions	Load Capacity
MSS607S-60MM	60mm x 6mm x 7 Leaf	1400kg
MSS608S-60MM	60mm x 6mm x 8 Leaf	1500kg

Galvanised	Dimensions	Load Capacity
MSS607SG-60MM	60mm x 6mm x 7 Leaf	1400kg
MSS608SG-60MM	60mm x 6mm x 8 Leaf	1500kg

A	Spring length – eye to tail	775mm
B	Front eye to centre bolt	334mm
C	Centre bolt to tail	441mm
D	Camber	150mm
E	Bolt diameter	16mm
F	Front eye to centre of rear hanger	735mm
G	Tail protrusion	20mm



Note: Rear hanger width is 40mm

60mm slipper spring sets are supplied with the following:

- 2 springs
- 2 front hangers
- 2 rear hangers
- 2 eye bolts
- 4 Ubolts
- 2 fish plates
- 2 axle pads

Note: To order springs to suit axle size add -39RD/-40SQ/-45RD/45SQ/-50SQ to the above codes e.g. MSS607S-60MM-45SQ



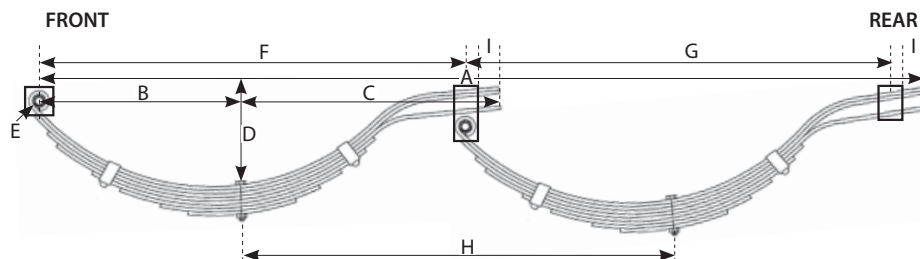
Tandem Slipper Springs sets - 60mm Wide

Painted	Dimensions	Load Capacity
MSST607S-60MM	60mm x 6mm x 7 Leaf	3000kg
MSST608S-60MM	60mm x 6mm x 8 Leaf	1500kg

Galvanised	Dimensions	Load Capacity
MSST607SG-60MM	60mm x 6mm x 7 Leaf	3000kg
MSST608SG-60MM	60mm x 6mm x 8 Leaf	1500kg

Note: To order spring set to suit axle size add -39RD/-40SQ/-45RD/-45SQ/-50RD/-50SQ

* Spring length – eye to tail	775mm
A Front hanger to rear hanger	1460mm
B Front eye to centre bolt	334mm
C Centre bolt to tail	441mm
D Camber	150mm
E Bolt diameter	16mm
F Front eye to centre of hanger	725mm
G Centre hanger to rear hanger	735mm
H Axle Centres	725mm
I Tail protrusion	20mm



Note: Centre hanger width is 60mm
& Rear hanger width is 40mm

Rocker Roller Spring

Rocker Roller Springs To Suit 13-14" Wheels

Front

Painted

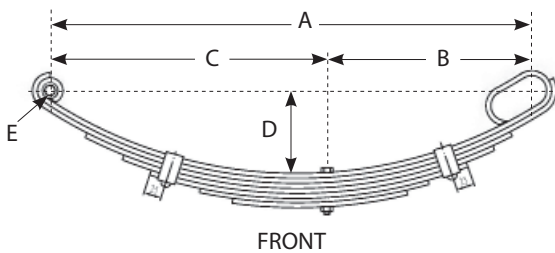
MAN5RS-P-F	60mm x 7mm x 5 Leaf	Front
MAN6RS-P-F	60mm x 7mm x 6 Leaf	Front
MAN7RS-P-F	60mm x 7mm x 7 Leaf	Front
MAN8RS-P-F	60mm x 7mm x 8 Leaf	Front

Galvanised

MAN5RS-G-F	60mm x 7mm x 5 Leaf	Front
MAN6RS-G-F	60mm x 7mm x 6 Leaf	Front
MAN7RS-G-F	60mm x 7mm x 7 Leaf	Front

Front

A	Spring length eye to rear loop	678mm
B	Eye to centre bolt	383mm
C	Centre bolt to rear loop	295mm
D	Camber	116mm
E	Shackle bolt diameter	16mm



Rear

Painted

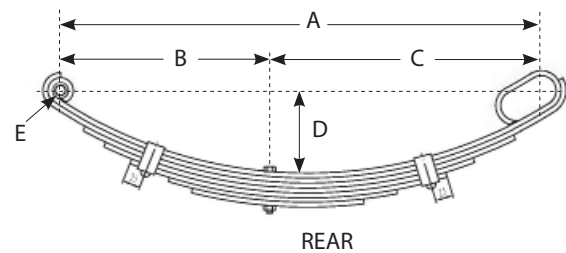
MAN5RS-P-R	60mm x 7mm x 5 Leaf	Rear
MAN6RS-P-R	60mm x 7mm x 6 Leaf	Rear
MAN7RS-P-R	60mm x 7mm x 7 Leaf	Rear
MAN8RS-P-R	60mm x 7mm x 8 Leaf	Rear

Galvanised

MAN5RS-G-R	60mm x 7mm x 5 Leaf	Rear
MAN6RS-G-R	60mm x 7mm x 6 Leaf	Rear
MAN7RS-G-R	60mm x 7mm x 7 Leaf	Rear

Rear

A	Spring length eye to rear loop	678mm
B	Eye to centre bolt	295mm
C	Centre bolt to rear loop	383mm
D	Camber	116mm
E	Shackle bolt diameter	16mm



Rocker Roller Springs To Suit 15-16" Wheels

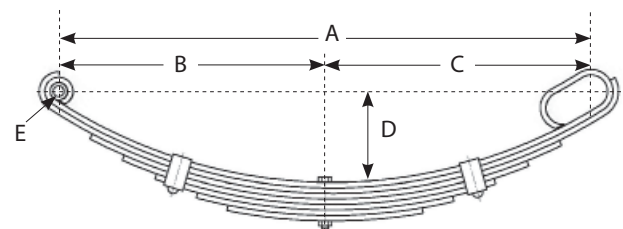
Painted

MAN5RS-P	60mm x 7mm x 5 leaf
MAN6RS-P	60mm x 7mm x 6 leaf
MAN7RS-P	60mm x 7mm x 7 leaf
MAN8RS-P	60mm x 7mm x 8 leaf
MAN9RS-P	60mm x 7mm x 9 leaf
MAN9RS-P-4.5T	60mm x 8mm x 9 leaf

A	Spring length eye to rear loop	678mm
B	Eye to centre bolt	339mm
C	Centre bolt to rear loop	339mm
D	Camber	116mm
E	Shackle bolt diameter	16mm

Galvanised

MAN5RS-G	60mm x 7mm x 5 leaf
MAN6RS-G	60mm x 7mm x 6 leaf
MAN7RS-G	60mm x 7mm x 7 leaf
MAN8RS-G	60mm x 7mm x 8 leaf
MAN9RS-G	60mm x 7mm x 9 leaf



MRRASET - Roller Rocker Accessories Set

supplied with the following:

- 2 front hangers
- 2 rear hangers
- 2 centre hangers
- 2 roller rocker arms
- 2 shackle pins 3/4"
- 4 shackle pins - greaseable
- 4 roller bushes - steel
- 4 shackle pins - non greaseable



Tandem Axle Rocker Roller Spring Sets

To Suit 13-14" Wheels (Please specify axle size when ordering)

Painted	Dimensions	Load Capacity
MRR5S-14	60mm x 7mm x 5 Leaf	2000kg
MRR6S-14	60mm x 7mm x 6 Leaf	2500kg
MRR7S-14	60mm x 7mm x 7 Leaf	3000kg
MRR8S-14	60mm x 7mm x 8 Leaf	3500kg

Galvanised	Dimensions	Load Capacity
MRR5GS-14	60mm x 7mm x 5 Leaf	2000kg
MRR6GS-14	60mm x 7mm x 6 Leaf	2500kg
MRR7GS-14	60mm x 7mm x 7 Leaf	3000kg

	Front	Rear
A Spring length – front to rear	1550mm	
B Eye to centre bolt	383mm	295mm
C Centre bolt to rear loop	295mm	383mm
D Camber	116mm	116mm
E Shackle bolt diameter	16mm	16mm
F Axle to Axle	795mm	

To Suit 15-16" Wheels (Please specify axle size when ordering)

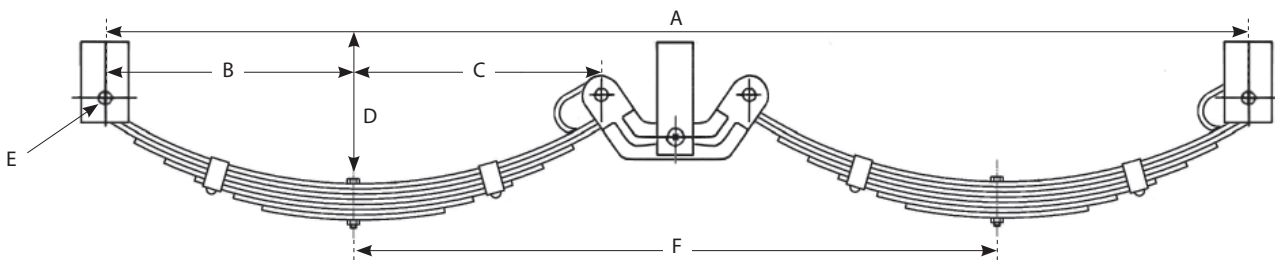
Painted	Dimensions	Load Capacity
MRR5S-16	60mm x 7mm x 5 Leaf	2000kg
MRR6S-16	60mm x 7mm x 6 Leaf	2500kg
MRR7S-16	60mm x 7mm x 7 Leaf	3000kg
MRR8S	60mm x 7mm x 8 Leaf	3500kg
MRR9S	60mm x 7mm x 9 Leaf	4000kg
MRR9S-4.5T	60mm x 8mm x 9 Leaf	4500kg

Galvanised	Dimensions	Load Capacity
MRR5GS-16	60mm x 7mm x 5 Leaf	2000kg
MRR6GS-16	60mm x 7mm x 6 Leaf	2500kg
MRR7GS-16	60mm x 7mm x 7 Leaf	3000kg
MRR8GS	60mm x 7mm x 8 Leaf	3500kg
MRR9GS	60mm x 7mm x 9 Leaf	4000kg

A Spring length – eye to tail	1560mm
B Front eye to centre bolt	339mm
C Centre bolt to rear loop	339mm
D Camber	116mm
E Shackle bolt diameter	16mm
F Axle to Axle*	885mm

* Axle to Axle (F) measurements are a guide.

To order springs to suit axle size add -39RD/-40SQ/-45RD/45SQ/-505Q to the codes e.g. MRR5S-45SQ



Roller Rocker spring sets are supplied with the following:

- 4 springs
- 2 rear hangers
- 2 roller rocker arms
- 2 shackle pins 3/4"
- 4 roller bush - steel
- 4 fish plates
- 2 front hangers
- 2 centre hangers
- 4 shackle pins 16x115
- 4 shackle pins 16x112
- 8 ubolts
- 4 axle pads



NOTE: 5, 6 & 7 leaf springs supplied with standard 1/2" Ubolt and 8mm Axle Pads and Fish Plates.

8 leaf springs supplied with 5/8" Ubolts and 10mm Axle Pads and Fish Plates.

Please specify axle size, when ordering, so we can provide the correct size Ubolts

Tri-Axle Rocker Roller Spring Sets

13-14" Wheels (Please specify axle size when ordering)

Painted	Dimensions	Load Capacity
MRR5S-TRI	60mm x 7mm x 5 Leaf	3000kg
MRR6S-TRI	60mm x 7mm x 6 Leaf	3750kg
MRR7S-TRI-14	60mm x 7mm x 7 Leaf	4500kg

Galvanised	Dimensions	Load Capacity
MRR5S-TRI-G	60mm x 7mm x 5 Leaf	3000kg
MRR6S-TRI-G	60mm x 7mm x 6 Leaf	3750kg
MRR7S-TRI-14-G	60mm x 7mm x 7 Leaf	4500kg

	Front	Rear
A Spring length – eye to tail	2460mm	
B Eye to centre bolt	390mm	295mm
C Centre bolt to rear loop	295mm	390mm
D Camber	116mm	116mm
E Shackle bolt diameter	16mm	16mm
F Axle to Axle*	840mm	

15-16" Wheels (Please specify axle sizes when ordering)

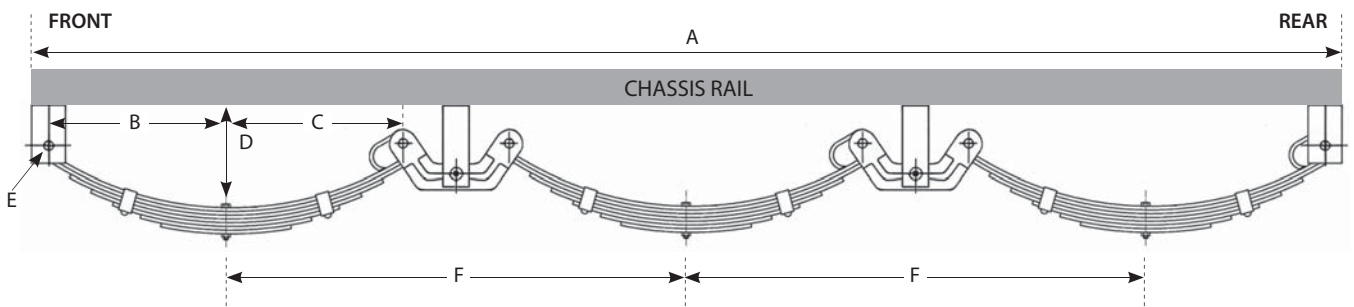
Painted	Dimensions	Load Capacity
MRR6S-TRI-16	60mm x 7mm x 6 Leaf	3750kg
MRR7S-TRI-16	60mm x 7mm x 7 Leaf	4500kg
MRR8S-TRI	60mm x 7mm x 8 Leaf	5250kg
MRR9S-TRI	60mm x 7mm x 9 Leaf	6000kg
MRR9S-4.5T-TRI	60mm x 8mm x 9 Leaf	6750kg

Galvanised	Dimensions	Load Capacity
MRR6S-TRI-G-16	60mm x 7mm x 6 Leaf	3750kg
MRR7S-TRI-G-16	60mm x 7mm x 7 Leaf	4500kg
MRR8S-TRI-G	60mm x 7mm x 8 Leaf	5250kg
MRR9S-TRI-G	60mm x 7mm x 9 Leaf	6000kg

	Centred
A Spring length – eye to tail	2460mm
B Eye to centre bolt	339mm
C Centre bolt to rear loop	339mm
D Camber	116mm
E Shackle bolt diameter	16mm
F Axle to Axle*	885mm

* Axle to Axle (F) measurements are a guide.

To order springs to suit axle size add -39RD/-40SQ/-45RD/45SQ/-50SQ to the above codes e.g. MRR9S-TRI-50SQ



Spring Sets Tri Axle Rocker Roller Set

supplied with the following:

- 6 springs
- 2 front hangers
- 2 rear hangers
- 6 shackle pins 16x115
- 4 centre hangers
- 4 roller rocker arms - galvanised
- 4 shackle pins 3/4"
- 6 shackle pins 16x112
- 6 roller bush - steel
- 6 axle pads
- 6 fish plates
- 12 ubolts



NOTE: 5, 6 & 7 leaf springs supplied with standard 1/2" Ubolt and 8mm Axle Pads and Fish Plates.
8 leaf springs supplied with 5/8" Ubolts and 10mm Axle Pads and Fish Plates.

Off-Road Eye-Eye Spring

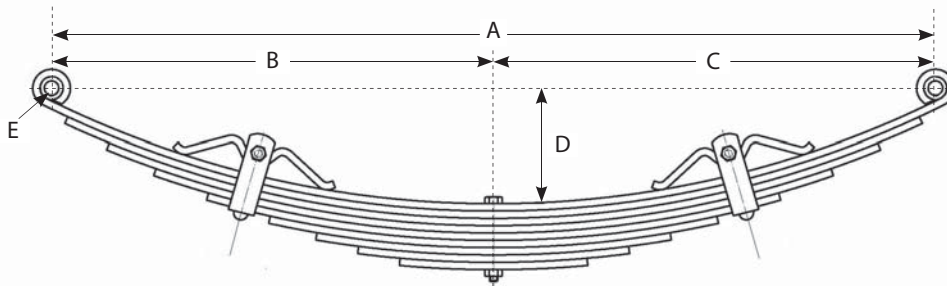
Painted	Dimensions	Load Capacity
MAN7OFR-P	60mm x 7mm x 7 Leaf	1550kg
MAN9OFR-P	60mm x 7mm x 9 Leaf	2000kg
MAN10OFR-P	60mm x 7mm x 10 Leaf	2500kg

NOTE: Painted springs are fitted with nylon bushes.

Galvanised	Dimensions	Load Capacity
MAN7OFR-G	60mm x 7mm x 7 Leaf	1250kg
MAN9OFR-G	60mm x 7mm x 9 Leaf	1600kg

NOTE: Weight capacity is for spring set (pair).
Suits 16mm Shackle Pins.

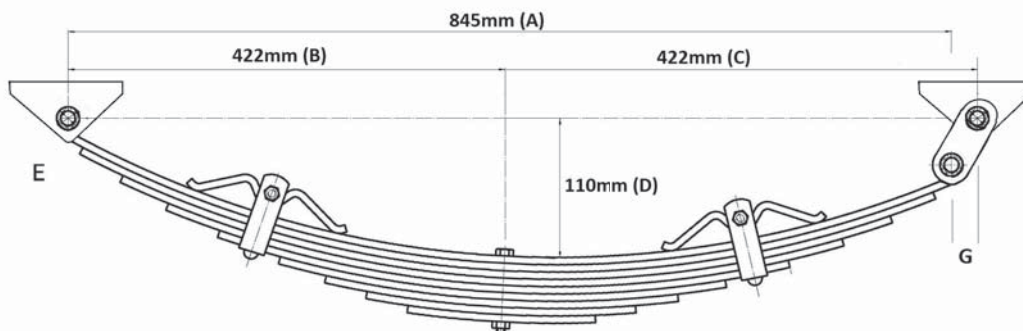
Centred		
A	Spring length – eye to eye	845mm
B	Front eye to centre bolt	422.5mm
C	Centre bolt to rear eye	422.5mm
D	Camber	110mm
E	Shackle bolt diameter	14mm
G	Shackle plate Off-set	25.4mm



Off-Road Eye-Eye Spring Set

Galvanised	Dimensions	Load Capacity
MRS607SG	60mm x 7mm x 7 Leaf	1250kg
MRS609SG	60mm x 7mm x 9 Leaf	1600kg

Painted	Dimensions	Load Capacity
MRS607S	60mm x 7mm x 7 Leaf	1550kg
MRS609S	60mm x 7mm x 9 Leaf	2000kg
MRS6010S	60mm x 7mm x 10 Leaf	2500kg



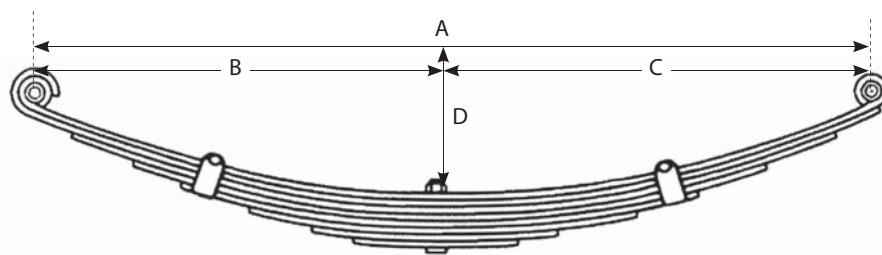
To order springs to suit axle size add -39RD/-40SQ/-45RD/45SQ/-50SQ to the above codes e.g. MRS607-50SQ

- Off road eye-eye spring sets are supplied with the following:
- 4 shackle plates
 - 2 heavy duty fish plates (10mm)
 - 2 heavy duty deadeyes
 - 2 heavy duty axle pads (10mm)
 - 4 heavy duty 5/8" ubolts
 - 2 front hangers
 - 6 shackle pins
 - 2 springs



Also available MOSPCOMP - see Page 20.

Eye-Eye Springs



Eye to Eye Springs 45mmx8mm - Short (630mm) - Centred

CODE	MATERIAL	CAPACITY 2 SPRINGS	E2E Dimension A	E2C Dimension B	CAMBER Dimension D	SHACKLE BOLT	FINISH
MAN4EES-P	45mmx8mmx4 Leaf	1100kg	630mm	315mm	85mm	14mm	BLACK PAINT
MAN4EES-G	45mmx8mmx4 Leaf	1100kg	630mm	315mm	85mm	14mm	GALVANISED
MAN5EES-P	45mmx8mmx5 Leaf	1300kg	630mm	315mm	85mm	14mm	BLACK PAINT
MAN5EES-P-C180	45mmx8mmx5 Leaf	1300kg	630mm	315mm	180mm	14mm	BLACK PAINT
MAN5EES-G	45mmx8mmx5 Leaf	1300kg	630mm	315mm	85mm	14mm	GALVANISED

Eye to Eye Springs 45mmx8mm - Short (640mm) - Offset

CODE	MATERIAL	CAPACITY 2 SPRINGS	E2E Dimension A	E2C Dimension B	CAMBER Dimension D	SHACKLE BOLT	FINISH
MAN4EEO-G	45mmx8mmx4 Leaf	1100kg	640mm	271mm	80mm	14mm	GALVANISED

Eye to Eye Springs 45mmx8mm - Short (710mm-720mm) - Centred

CODE	MATERIAL	CAPACITY 2 SPRINGS	E2E Dimension A	E2C Dimension B	CAMBER Dimension D	SHACKLE BOLT	FINISH
MAN5EEL-P-C	45mmx8mmx5 Leaf	1300kg	720mm	360mm	105mm	14mm	BLACK PAINT
MAN6EEL-P-C	45mmx8mmx6 Leaf	1500kg	710mm	355mm	105mm	14mm	BLACK PAINT
MAN8EEL-P	45mmx8mmx8 Leaf	1900kg	720mm	360mm	105mm	14mm	BLACK PAINT

Eye to Eye Springs 45mmx8mm - Short (710mm-716mm) - Centred

CODE	MATERIAL	CAPACITY 2 SPRINGS	E2E Dimension A	E2C Dimension B	CAMBER Dimension D	SHACKLE BOLT	FINISH
MAN3EEL-P	45mmx8mmx3 Leaf	850kg	710mm	320mm	105mm	14mm	BLACK PAINT
MAN3EEL-G	45mmx8mmx3 Leaf	850kg	716mm	320mm	105mm	14mm	GALVANISED
MAN4EEL-P	45mmx8mmx4 Leaf	1100kg	716mm	320mm	105mm	14mm	BLACK PAINT
MAN4EEL-G	45mmx8mmx4 Leaf	1100kg	716mm	320mm	105mm	14mm	GALVANISED
MAN5EEL-P	45mmx8mmx5 Leaf	1300kg	710mm	320mm	105mm	14mm	BLACK PAINT
MAN5EEL-G	45mmx8mmx5 Leaf	1300kg	716mm	320mm	105mm	14mm	GALVANISED
MAN6EEL-P	45mmx8mmx6 Leaf	1500kg	710mm	320mm	105mm	14mm	BLACK PAINT
MAN6EEL-G	45mmx8mmx6 Leaf	1500kg	716mm	320mm	105mm	14mm	GALVANISED

Eye to Eye Springs 60mmx6mm - 690mm - Offset

CODE	MATERIAL	CAPACITY 2 SPRINGS	E2E Dimension A	E2C Dimension B	CAMBER Dimension D	SHACKLE BOLT	FINISH
MAN6EE-P-60	60mmx6mmx6 Leaf	1500kg	690mm	395mm	113mm	16mm	BLACK PAINT
MAN6EE-G-60	60mmx6mmx6 Leaf	1500kg	690mm	395mm	113mm	16mm	GALVANISED
MAN7EE-P-60	60mmx6mmx7 Leaf	1700kg	690mm	395mm	113mm	16mm	BLACK PAINT
MAN7EE-G-60	60mmx6mmx7 Leaf	1700kg	690mm	395mm	113mm	16mm	GALVANISED

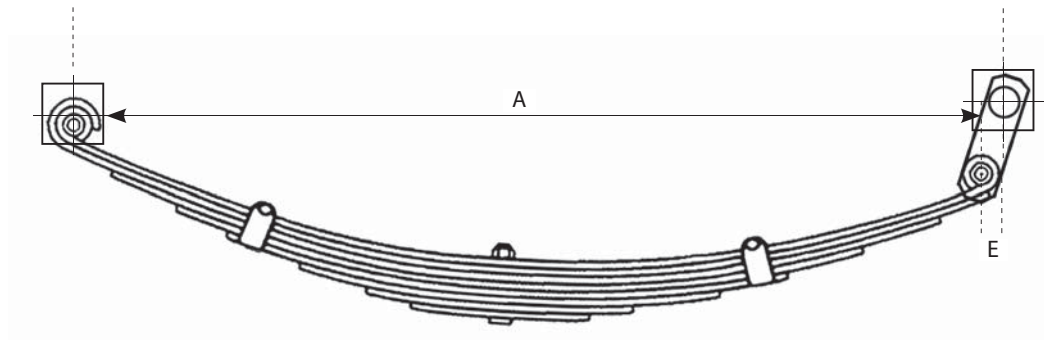
Note: Some dimensions may vary slightly depending on availability of supply.

Eye-Eye Shackle Spring Sets - 45mm - Centred (630)

Painted	Dimensions	Load Capacity
MES454S	45mm x 8mm x 4 Leaf	1100kg
MES455S	45mm x 8mm x 5 Leaf	1300kg
MES456S	45mm x 8mm x 6 Leaf	1500kg
MES458S	45mm x 8mm x 8 Leaf	1900kg

Galvanised	Dimensions	Load Capacity
MES453SG	45mm x 8mm x 3 Leaf	850kg
MES454SG	45mm x 8mm x 4 Leaf	1100kg

A	Pin to Pin	655mm
E	Pin Offset	25.4mm



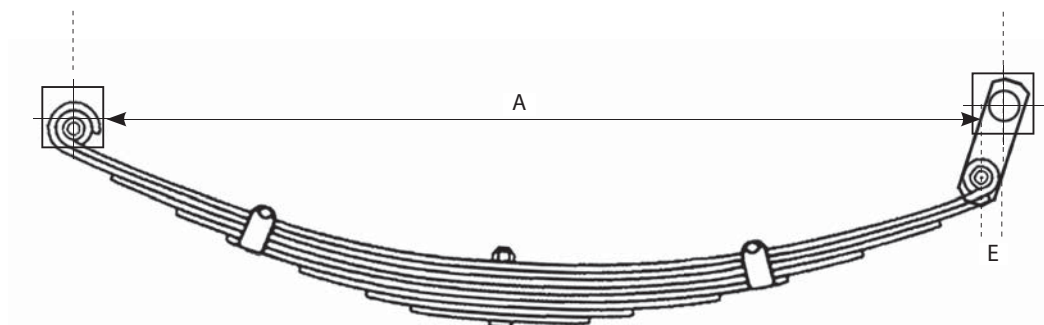
Note: For Spring dimensions see Page 10

Eye-Eye Shackle Spring Sets - 45mm - Offset (710-720)

Painted	Dimensions	Load Capacity
MES453OS	45mm x 8mm x 3 Leaf	850kg
MES454OS	45mm x 8mm x 4 Leaf	1100kg
MES455OS	45mm x 8mm x 5 Leaf	1300kg
MES456OS	45mm x 8mm x 6 Leaf	1500kg

Galvanised	Dimensions	Load Capacity
MES453GOS	45mm x 8mm x 3 Leaf	850kg
MES454GOS	45mm x 8mm x 4 Leaf	1100kg
MES455GOS	45mm x 8mm x 5 Leaf	1300kg
MES456GOS	45mm x 8mm x 6 Leaf	1500kg

A	Pin to Pin	735-745mm
E	Pin Offset	25.4mm



Note: For Spring dimensions see Page 10

Eye-eye springs are supplied with the following:

- 2 springs
- 6 shackle pins
- 4 Ubolts
- 2 axle pads
- 2 front hangers
- 2 dead eyes
- 2 fish plates
- 4 shackle plates



Note: To order springs to suit axle size add -39RD/-40SQ/-45RD/45SQ/-50SQ to the above codes e.g. MES4535-39RD

Tandem Eye-Eye Rocker Spring Sets Short Rocker Arm 150mm

630mm - Short Rocker Arm

Painted	Dimensions	Load Capacity
MTS454S-S	45mm x 8mm x 4 Leaf	2200kg
MTS455S-S	45mm x 8mm x 5 Leaf	2600kg

Galvanised	Dimensions	Load Capacity
MTS454SG-S	45mm x 8mm x 4 Leaf	2200kg

A	Spring length – eye to tail	630mm
B	Front eye to centre bolt	315mm
C	Centre bolt to rear eye	315mm
D	Camber	85mm
E	Shackle bolt diameter	14mm
F	Overall Length	1470mm
G	Front to Centre Bracket	735mm
H	Axle to Axle	870mm
	Wheel Size	13-14"

640mm Off Centre

Galvanised	Dimensions	Load Capacity
MTS4540SG-S	45mm x 8mm x 4 Leaf	2200kg

A	Spring length – eye to tail	640mm
B	Front eye to centre bolt	369mm
C	Centre bolt to rear eye	271mm
D	Camber	80mm
E	Shackle bolt diameter	14mm
F	Overall Length	1480mm
G	Front to Centre Bracket	740mm
H	Axle to Axle	770mm
	Wheel Size	13-14"

710-716mm Off Centre - Short Rocker Arm

Painted	Dimensions	Load Capacity
MTS4540S-S	45mm x 8mm x 4 Leaf	2200kg
MTS4550S-S	45mm x 8mm x 5 Leaf	2600kg
MTS4560S-S	45mm x 8mm x 6 Leaf	2800kg

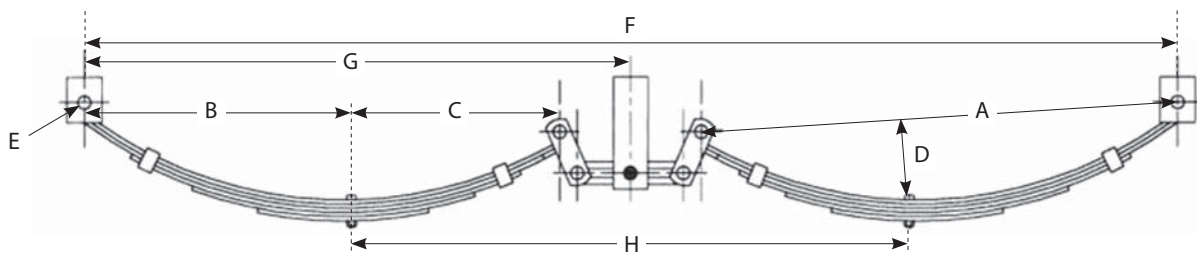
Galvanised	Dimensions	Load Capacity
MTS4540SG-S	45mm x 8mm x 4 Leaf	2200kg
MTS4550SG-S	45mm x 8mm x 5 Leaf	2600kg
MTS4560SG-S	45mm x 8mm x 6 Leaf	2800kg

A	Spring length – eye to tail	710-716mm
B	Front eye to centre bolt	320mm
C	Centre bolt to rear eye	390-396mm
D	Camber	105mm
E	Shackle bolt diameter	14mm
F	Overall Length	1650mm
G	Front to Centre Bracket	825mm
H	Axle to Axle	870mm
	Wheel Size	13-14"

Tandem eye-eye rocker spring sets are supplied with the following:

- 4 springs
- 2 front hangers
- 2 rear hangers
- 2 centre hangers
- 2 rocker arms
- 2 rocker arm pins
- 8 shackle plates
- 12 shackle pins
- 8 Ubolts
- 4 fish plates
- 4 axle pads

To order springs to suit axle size add -39RD/-40SQ/-45RD/45SQ/-50SQ to the above codes e.g. MTS455S-S-45SQ



Tandem Eye-Eye Rocker Spring Sets Long Rocker Arm 200mm

630mm - Long Rocker Arm

Painted	Dimensions	Load Capacity
MTS454S-L	45mm x 8mm x 4 Leaf	2200kg
MTS455S-L	45mm x 8mm x 5 Leaf	2600kg

Galvanised	Dimensions	Load Capacity
MTS454SG-L	45mm x 8mm x 4 leaf	2200kg

A	Spring length – eye to tail	630mm
B	Front eye to centre bolt	315mm
C	Centre bolt to rear eye	315mm
D	Camber	85mm
E	Shackle bolt diameter	14mm
F	Overall Length	1515mm
G	Front to Centre Bracket	755mm
H	Axle to Axle	910mm
	Wheel Size	15-16"

640mm Off Centre - Long Rocker Arm

Galvanised	Dimensions	Load Capacity
MTS454OSGS-L	45mm x 8mm x 4 leaf	2200kg

A	Spring length – eye to tail	640mm
B	Front eye to centre bolt	271mm
C	Centre bolt to rear eye	369mm
D	Camber	80mm
E	Shackle bolt diameter	14mm
F	Overall Length	1520mm
G	Front to Centre Bracket	760mm
H	Axle to Axle	810mm
	Wheel Size	13-14"

710-716mm Off Centre - Long Rocker Arm (Also available 720mm Centred in 6 leaf & 8 leaf)

Painted	Dimensions	Load Capacity
MTS454OS-L	45mm x 8mm x 4 Leaf	2200kg
MTS455OS-L	45mm x 8mm x 5 Leaf	2600kg
MTS456OS-L	45mm x 8mm x 6 Leaf	2800kg

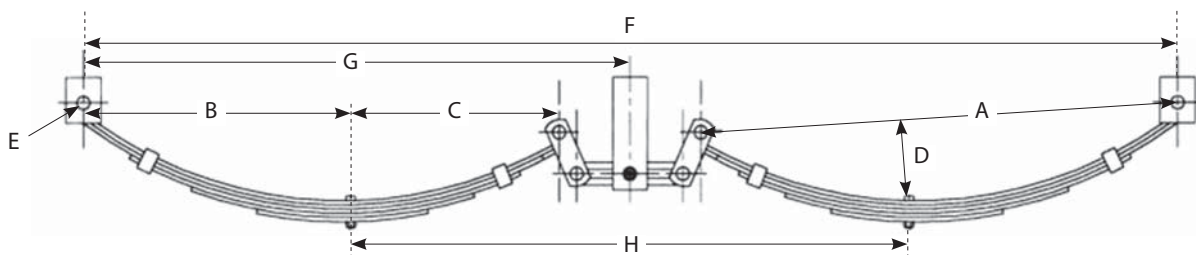
Galvanised	Dimensions	Load Capacity
MTS454OSG-L-G	45mm x 8mm x 4 Leaf	2200kg
MTS455OSG-L-G	45mm x 8mm x 5 Leaf	2600kg
MTS456OSG-L-G	45mm x 8mm x 6 Leaf	2800kg

A	Spring length – eye to tail	710-716mm
B	Front eye to centre bolt	320mm
C	Centre bolt to rear eye	390-396mm
D	Camber	105mm
E	Shackle bolt diameter	14mm
F	Overall Length	1690mm
G	Front to Centre Bracket	845mm
H	Axle to Axle	920mm
	Wheel Size	15-16"

Tandem eye-eye rocker spring sets are supplied with the following:

- 4 springs
- 2 front hangers
- 2 rear hangers
- 2 rocker arms
- 8 shackle plates
- 8 Ubolts
- 4 axle pads
- 2 centre hangers
- 2 rocker arm pins
- 12 shackle pins
- 4 fish plates

To order springs to suit axle size add -39RD/-40SQ/-45RD/45SQ/-50SQ to the above codes e.g. MTS455S-S-45SQ



Tandem Eye-Eye Rocker Spring Sets (Push - Pull Style)

630mm

Painted	Dimensions	Load Capacity
MTS454S	45mm x 8mm x 4 Leaf	2200kg
MTS455S	45mm x 8mm x 5 Leaf	2600kg

Galvanised	Dimensions	Load Capacity
MTS454SG	45mm x 8mm x 4 leaf	2200kg

A	Spring length – eye to tail	630mm
B	Front eye to centre bolt	315mm
C	Centre bolt to rear eye	315mm
D	Camber	85mm
E	Shackle bolt diameter	14mm
F	Overall Length	1550mm
G	Front to Centre Bracket	770mm
H	Axle to Axle	920mm
	Wheel Size	up to 16"

640mm Off Centre

Galvanised	Dimensions	Load Capacity
MTS454OSGS	45mm x 8mm x 4 leaf	2200kg

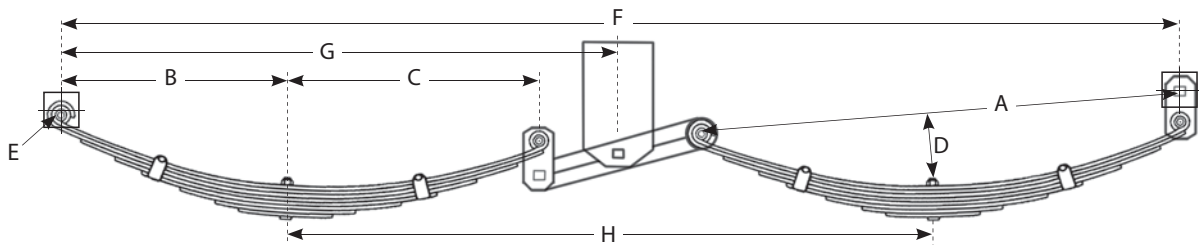
A	Spring length – eye to tail	640mm
B	Front eye to centre bolt	271mm
C	Centre bolt to rear eye	369mm
D	Camber	80mm
E	Shackle bolt diameter	14mm
F	Overall Length	1550mm
G	Front to Centre Bracket	770mm
H	Axle to Axle	820mm
	Wheel Size	13-14"

710-716mm Off Centre

Painted	Dimensions	Load Capacity
MTS454OS	45mm x 8mm x 4 Leaf	2200kg
MTS455OS	45mm x 8mm x 5 Leaf	2600kg
MTS456OS	45mm x 8mm x 6 Leaf	2800kg

Galvanised	Dimensions	Load Capacity
MTS454OSG	45mm x 8mm x 4 Leaf	2200kg
MTS455OSG	45mm x 8mm x 5 Leaf	2600kg
MTS456OSG	45mm x 8mm x 6 Leaf	2800kg

A	Spring length – eye to tail	710-716mm
B	Front eye to centre bolt	320mm
C	Centre bolt to rear eye	390-396mm
D	Camber	105mm
E	Shackle bolt diameter	14mm
F	Overall Length	1720mm
G	Front to Centre Bracket	850mm
H	Axle to Axle	920mm
	Wheel Size	up to 16"



Tandem eye-eye rocker spring sets are supplied with the following:

- 4 springs
- 2 front hangers
- 2 rear hangers
- 2 centre hangers
- 2 rocker arms
- 2 rocker arm pins
- 8 shackle plates
- 12 shackle pins
- 8 Ubolts
- 4 fish plates
- 4 axle pads

To order springs to suit axle size add -39RD/-40SQ/-45RD/45SQ/-50SQ to the above codes e.g. MTS455S-S-45SQ

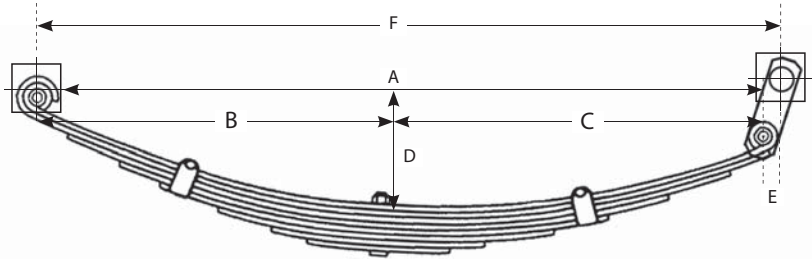


Eye-Eye Shackle Spring Sets - 60mm Wide Spring

Painted	Dimensions	Load Capacity
MES606S-60	60mm x 6mm x 6 Leaf	1500kg
MES607S-60	60mm x 6mm x 7 Leaf	1700kg

Galvanised	Dimensions	Load Capacity
MES606SG-60	60mm x 6mm x 6 Leaf	1500kg
MES607SG-60	60mm x 6mm x 7 Leaf	1700kg

A	Spring length – eye to tail	690mm
B	Front eye to centre bolt	295mm
C	Centre bolt to rear eye	395mm
D	Camber	113mm
E	Shackle plate offset	25.4mm
F	Overall length	715mm



Off road eye-eye spring sets are supplied with the following:

- 4 shackle plates
- 2 fish plates
- 2 deadeyes
- 2 axle pads
- 4 ubolts
- 2 front hangers
- 6 16mm shackle pins
- 2 springs



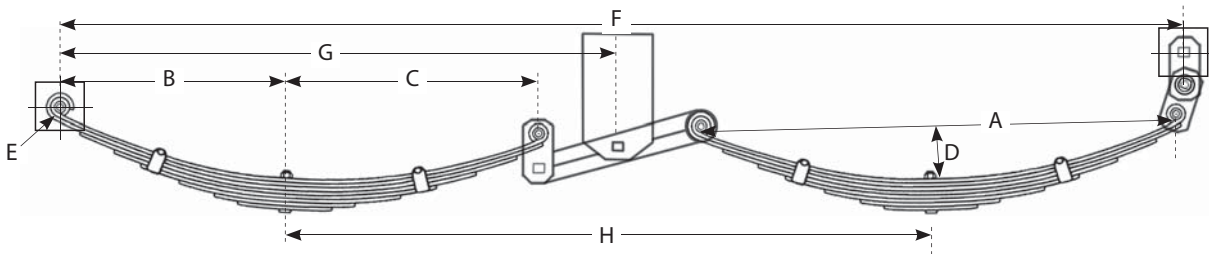
To order springs to suit axle size add -39RD/-40SQ/-45RD/45SQ/-50SQ to the above codes e.g. MES606SG-60-45SQ

Tandem Eye-Eye Rocker Spring Sets - 60mm Wide Spring

Painted	Dimensions	Load Capacity
MTS606S-60	60mm x 6mm x 6 Leaf	3000kg
MTS607S-60	60mm x 6mm x 7 Leaf	3400kg

A	Spring length – eye to eye	690mm
B	Front eye to centre bolt	295mm
C	Centre bolt to rear eye	395mm
D	Camber	113mm
E	Shackle bolt diameter	16mm
F	Overall length	1630mm
G	Front to Centre Bracket	815mm
H	Axle to Axle	915mm

Galvanised	Dimensions	Load Capacity
MTS606SG-60	60mm x 6mm x 6 Leaf	3000kg
MTS607SG-60	60mm x 6mm x 7 Leaf	3400kg



Tandem eye-eye rocker spring sets are supplied with the following:

- 4 springs
- 2 front hangers
- 2 rear hangers
- 2 centre hangers
- 2 rocker arms
- 2 rocker arm pins
- 8 shackle plates
- 12 16mm shackle pins
- 8 Ubolts
- 4 fish plates
- 4 axle pads



To order springs to suit axle size add -39RD/-40SQ/-45RD/45SQ/-50SQ to the above codes e.g. MTS606SG-50SQ

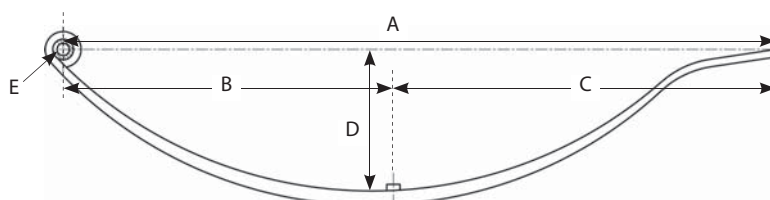
Parabolic Spring (Galvanised)

Parabolic Springs

Painted	Dimensions	Load Capacity
MPS600G	45mm	600kg
MPS1000G	45mm	1000kg
MPS1400G	45mm	1400kg

A	Spring length – eye to tail	755mm
B	Front eye to centre rivet	350mm
C	Centre bolt to tail	405mm
D	Camber	150mm
E	Bolt diameter	1/2"

NOTE: weight capacity is for spring set (pair)

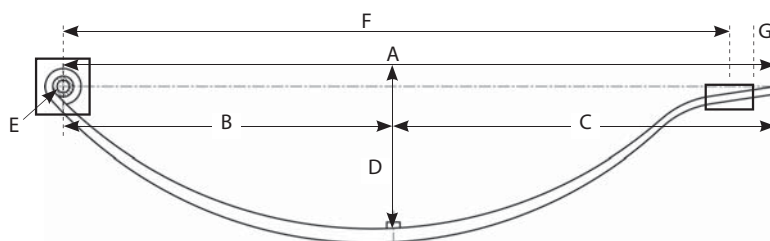


Parabolic Spring Sets

Painted	Dimensions	Load Capacity
MPS600GS	45mm	600kg
MPS1000GS	45mm	1000kg
MPS1400GS	45mm	1400kg

A	Spring length – eye to tail	755mm
B	Front eye to centre bolt	350mm
C	Centre bolt to tail	405mm
D	Camber	150mm
E	Bolt diameter	1/2"
F	Front eye to centre of rear hanger	715mm
G	Tail protrusion	20mm

Note: Real hanger width is 40mm



To order springs to suit axle size add -39RD/-40SQ/-45RD/45SQ/-50SQ to the above codes e.g. MPS600-45SQ

Parabolic springs are supplied with the following:

- 2 springs
- 2 front hangers
- 2 rear hangers
- 2 eye bolts
- 4 Ubolts
- 2 fish plates
- 2 axle pads



Tandem sets also available - Please call for more information.

Spring Accessories - Hangers



MFH45916

Hanger	Front/Rear 8mm
Spring	Suit 45mm slipper Eye-Eye
Bolt	14mm



MFH-SLS

Hanger	Rear 6mm
Spring	Suit 45mm slipper/Para
Bolt	12mm



MRH60

Hanger	Rear Dead eye
Spring	Suit 60mm Off-Road
Bush	Nylon 14mm



MRH

Rear Hanger	45mm slipper
Slipper Spring	6mm



MCH-TS45

Hanger	Long Centre
Spring	Suit 45mm slipper



MRRCH

Hanger	Rocker Roller Centre
Bolt	Suit 3/4



MFRH750

Hanger	Front/Rear
Spring	Suit 45mm slipper
Spring	750kg



MRH-SLS

Hanger	Rear Parabolic
Spring	Suit 45mm/Para
Leaf	single tail



MRRFRH

Hanger	Front/Rear Rocker Roller
Spring	Suit 60mm wide
Bolt	16mm



MRH-SS

Hanger	Rear
Spring	Suit 45mm slipper
Leaf	3 tail



MLCHT58-60

Hanger	Long Centre
Spring	Suit 60mm
Bolt	5/8"



MRH45

Hanger	Rear Dead eye
Spring	Suit 45mm
Bush	Nylon 14mm



MSCHT58

Hanger	Short Centre for Rocker Arm
Spring	Suit tandem Eye-Eye 45mm x 8mm
Dim	155 deep x 16mm holes



MLCHT58

Hanger	Long Centre for Rocker Arm
Spring	Suit tandem Eye-Eye 45mm x 8mm
Dim	232 deep x 16mm holes



MLCHT58-60

Hanger	Long Centre for Rocker Arm
Spring	Suit tandem Eye-Eye 60mm
Dim	170mm deep x 16mm holes



MRH-SS60

Hanger	Rear
Spring	Suit 60mm slipper



MFH60

Hanger	Front
Spring	Suit 60mm Off Road
Bolt	16mm



MFH-SLS60

Hanger	Front
Spring	Suit 60mm Slipper
Bolt	16mm

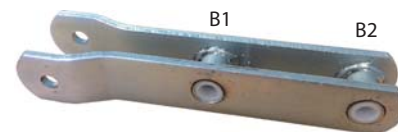
Spring Accessories - Hangers



RA916G/RA916Z
Rocker Roller Arm Galv and Zinc to suit 60mm Rocker Roller Springs



MTRA60
Tandem Rocker Arm to suit 60mm Springs.



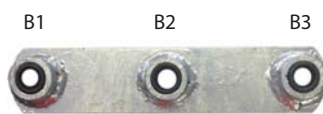
MTRA45K 74H
Tandem Rocker Arm to suit 45mm Springs.

- B1 16mm (785845)
- B2 14mm (7891645)



MTRA45-14K 56H
Tandem Rocker Arm to suit 45mm Wide Spring suitable for 13-14" wheel

- B1 14mm (7891645)
- B2 16mm (785845)
- B2 14mm (7891645)



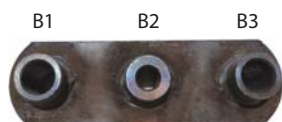
MTRA45-16K
Tandem Rocker Arm to suit 45mm Wide Spring suitable for 15-16" wheel

- B1 14mm (7891645)
- B2 16mm (785845)
- B2 14mm (7891645)



MTRA60-16K 80C
Tandem Rocker Arm to suit 60mm Springs - 15" & 16" wheels

- B1 16mm (785860)
- B2 (NO BUSH) 16mm
- B2 16mm (785860)



MTRA60-16-SK
Tandem Rocker Arm to suit 60mm Springs - 15" & 16" wheels BLACK

- B1 16mm (785860)
- B2 (NO BUSH) 16mm
- B2 16mm (785860)



MTRA60BB
Bronze Bush set to suit MTRA60



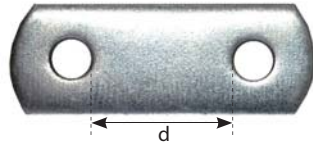
RA916-BB
Bronze Bush to suit RA916
Outer Diameter: 24.90mm
Inner Diameter: 19mm
Length: 45mm (251945)



MSRRB
Steel Bush to suit Roller Rockers
Outer Diameter: 35mm
Inner Diameter: 17mm

Spring Accessories - Shackle Plates & Axle Pads

Shackle Plate

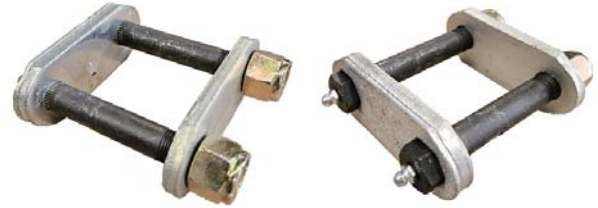


Item Code	Between Holes (d)	Holes	Finish
MSP916	50mm	14mm	Zinc
MSP916G	50mm	14mm	Galv
MSP58	48mm	16mm	Zinc
MSP58L	60mm	16mm	Zinc
MSP58G-100	100mm	5/8"	Galv
MSP58G-75	75mm	5/8"	Galv
MSP58Z-75	75mm	5/8"	Zinc
MSP58B	48mm	5/8"	Black

MOSPCOMP

Offroad shackle plates fitted with greaseable bolts and nyloc nuts.

To suit 60mm spring, 16mm bolts.



Axle Pads



Item Code	Axle Pad	Suit Spring	Size	Finish	Feature
MAP	8mm	45mm	45mm x 40mm	Zinc	
MAPG	8mm	45mm	45mm x 40mm	Galv	
MAPHD	10mm	60mm	60mm x 50mm	Zinc	Heavy Duty
MAPHDG	10mm	60mm	60mm x 50mm	Galv	Heavy Duty
MAP-R	8mm	45mm	45mm x 40mm	Zinc	

MRRASET

Rocker Roller Accessories Kit



TRIADSET

Add on Tri-axle Rocker Roller Accessories Kit



M60HSET

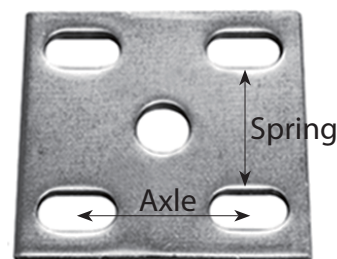
60mm Eye to Eye Accessories Kit
Required to complete spring set



Fish Plates

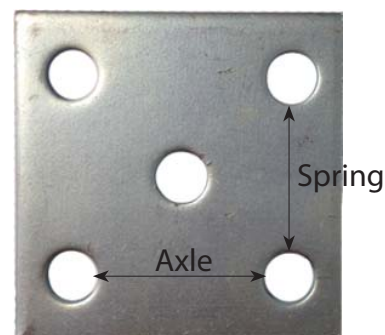
Fish Plate - Slotted

Item Code	Axle	Spring	U-bolt	Thickness	Finish
MFP	39mm-50mm	45mm	12mm/ 1/2"	8mm	Zinc
MFPG	39mm-50mm	45mm	12mm/ 1/2"	8mm	Galv
MFP58	45mm-50mm	60mm	16mm/ 5/8"	10mm	Zinc
MFPHD	39mm-50mm	45mm	12mm/ 1/2"	10mm	Zinc
MFPHD45/50X60	45mm-50mm	60mm	16mm/ 5/8"	10mm	Zinc



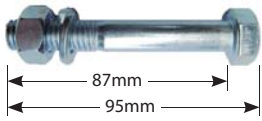
Fish Plate - Regular

Item Code	Axle	Spring	U-bolt	Thickness	Finish
MFP39X45	39mm	45mm	12mm/ 1/2"	8mm	Zinc
MFP40X60	40mm	60mm	16mm/ 5/8"	10mm	Zinc/ Black
MFP45X45G	45mm	45mm	16mm/ 5/8"	10mm	Galv
MFP45X45	45mm	45mm	16mm/ 5/8"	10mm	Zinc
MFP45X60	45mm	60mm	16mm/ 5/8"	10mm	Zinc
MFPHD45X60	45mm	60mm	16mm/ 5/8"	10mm	Zinc
MFP45X50	50mm	45mm	16mm/ 5/8"	8mm	Zinc
MFPHD50X60	50mm	60mm	16mm/ 5/8"	10mm	Zinc
MFP50X60	50mm	60mm	16mm/ 5/8"	10mm	Zinc/Black
MFP50X60G	50mm	60mm	16mm/ 5/8"	10mm	Galv
MFP50X45	50mm	45mm	16mm/ 5/8"	8mm	Zinc
MFP65X60	65mm	60mm	16mm/ 5/8"	10mm	Zinc



Spring Accessories - Suspension Bolts

Non greasable



BOLT12X3.5

1/2 inch x 3.5 inches standard

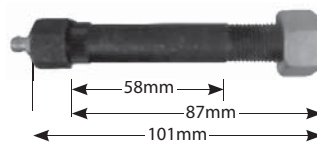
Total Length 87mm

Unit Weight 0.20kg

Finish Zinc

Suits Springs • 45mm x 6mm Slipper
• 45mm Parabolic

Greasable



H.T.BTNT14

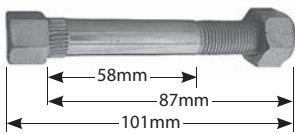
14mm suspension bolt + nyloc high tensile & greasable

Total Length 101mm

Unit Weight 0.15kg

Finish Black

Suits Springs • 45mm x 8mm Slipper
• 45mm Eye to Eye



BTNT14ZN

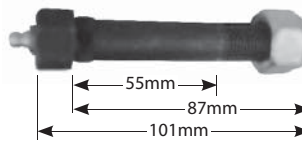
14mm suspension bolt + nyloc

Total Length 101mm

Unit Weight 0.15kg

Finish Zinc

Suits Springs • 45mm x 8mm Slipper
• 45mm Eye to Eye



H.T.BTNT16

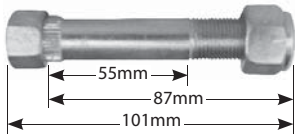
16mm suspension bolt + nyloc high tensile & greasable

Total Length 101mm

Unit Weight 0.20kg

Finish Black

Suits Springs • 60mm x 6mm Slipper
• 60mm Eye to Eye



BTNT16ZN

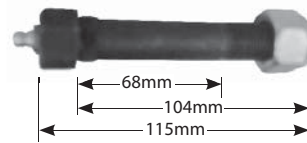
16mm suspension bolt + nyloc

Total Length 101mm

Unit Weight 0.20kg

Finish Zinc

Suits Springs • 60mm x 6mm Slipper
• 60mm Eye to Eye



H.T.BTNT16X115

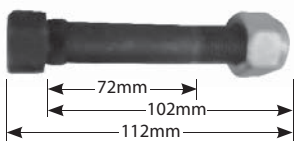
16mm suspension bolt + nyloc high tensile & greasable

Total Length 115mm

Unit Weight 0.21kg

Finish Black

Suits Springs Roller Rocker - real eye



H.T.BTNT16X112

16mm suspension bolt + nyloc

Total Length 112mm

Unit Weight 0.21kg

Finish Black

Suits Springs Roller Rocker - front eye



H.T.BTNT34

3/4 suspension bolt + castle nut greasable with split pin

Total Length 98mm

Unit Weight 0.23kg

Finish Zinc

Suits Springs Roller Rocker centre hanger

Spring Spare Parts - Nylon spring bushes

781245 7/8" (22mm) x 1/2" (13mm) x 45mm to suit 45mm wide springs or rocker arm

7891645 7/8" (22mm) x 9/16" (14mm) x 45mm to suit 45mm wide springs or rocker arm

785845 7/8" (22mm) x 5/8" (16mm) x 45mm to suit 45mm wide springs

785860 7/8" (22mm) x 5/8" (16mm) x 60mm to suit 60mm wide springs

341245 3/4" (19mm) x 1/2" (13mm) x 45mm to suit 45mm wide springs

3491645 3/4" (19mm) x 9/16" (14mm) x 45mm to suit 45mm wide springs

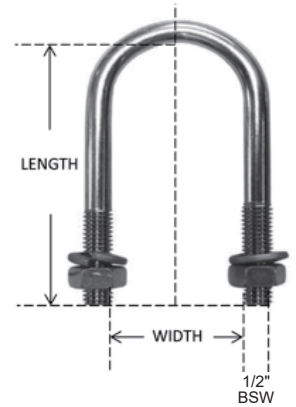
181245 18mm x 1/2" (13mm) x 45mm to suit 45mm wide springs

Suspension U-Bolts

Round U-Bolts 1/2"

	Length	39mm	45mm	50mm
Length	4"	UBOLT39X4RD	N/A	N/A
	4.5"	UBOLT39X4.5RD	UBOLT45X4.5RD	UBOLT50X4.5RD
	5"	UBOLT39X5RD	UBOLT45X5RD	UBOLT50X5RD
	5.5"	UBOLT39X5.5RD	UBOLT45X5.5RD	N/A
	6"	N/A	UBOLT45X6RD	UBOLT50X6RD
	6.5"	N/A	N/A	N/A
	7"	N/A	N/A	UBOLT50X7RD

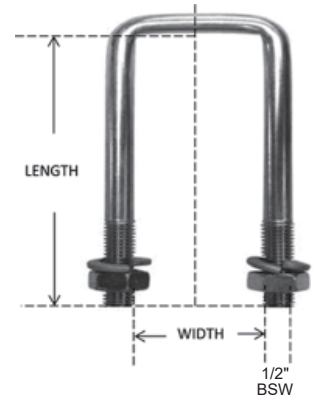
(Supplied with 2 x 1/2" BSW Nuts and spring washers)



Square U-Bolts 1/2"

	Length	40mm	45mm	50mm
Length	4"	N/A	N/A	N/A
	4.5"	UBOLT40X4.5SQ	UBOLT45X4.5SQ	UBOLT50X4.5SQ
	5"	UBOLT40X5SQ	UBOLT45X5SQ	UBOLT50X5SQ
	5.5"	UBOLT40X5.5SQ	UBOLT45X5.5SQ	N/A
	6"	N/A	UBOLT45X6SQ	UBOLT50X6SQ
	6.5"	N/A	UBOLT45X6.5SQ	UBOLT50X6.5SQ
	7"	N/A	N/A	UBOLT50X7SQ

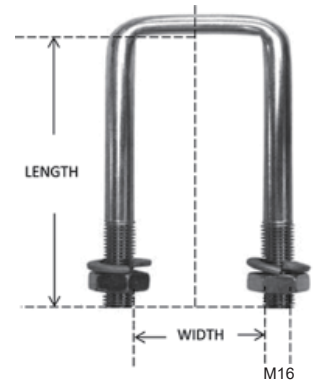
(Supplied with 2 x 1/2" BSW Nuts and spring washers)



Square U-Bolts - Heavy Duty

	Length	45mm	50mm	63mm
Length	4.5"	UBOLT45X4.5SQ58	UBOLT50X4.5SQ58	N/A
	5.5"	UBOLT45X5.5SQ58	UBOLT50X5.5SQ58	N/A
	6"	UBOLT45X6SQ58	UBOLT50X6SQ58	N/A
	6.5"	UBOLT45X6.5SQ58	UBOLT50X6.5SQ58	N/A
	7"	UBOLT45X7SQ58	UBOLT50X7SQ58	UBOLT63X7SQ58
	8"	N/A	N/A	UBOLT63X8SQ58

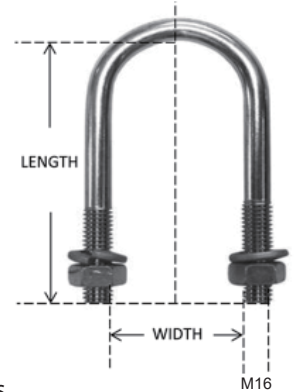
(Supplied with 2 x M16 x 2.0 Nylocs and Flat Washers)



Round U-Bolts - Heavy Duty

	Length	65mm
Length	7"	UBOLT65X7RD58
	8"	UBOLT65X8RD58

(Supplied with 2 x M16 x 2.0 Nylocs and Flat Washers)



Identify U-Bolts For Spring Kit

AXLE + SPRING DEPTH (LEAF THICKNESS X NO. OF LEAVES) + 50mm
 (add 50mm extra to allow for nut to be secure on U-Bolts) = formula will give value in millimetres
 TO CONVERT TO INCHES ÷ 25.4

EXAMPLE

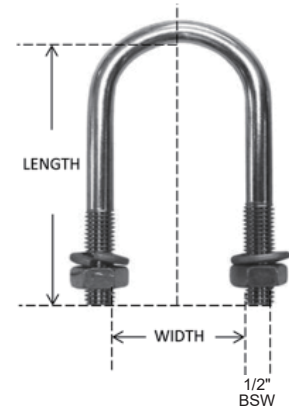
If U-Bolts are required for SPRING: 7mm, 9 leaf. AXLE: square 50mm:
 50 (axle) + 63 (7 x 9) + 50 (extra 50mm) = 163mm ÷ 25.4 = 6.41
 6 1/2" U-bolts required

Spring Kit - U-Bolts Cheat Sheet

Round U-Bolts

When using 8mm Fish Plates & 8mm Axle Pads, (For Slipper, Eye-Eye Shackle, Rocker Roller 3-7 Leaf, Tandem Eye-Eye Rocker Spring Sets)

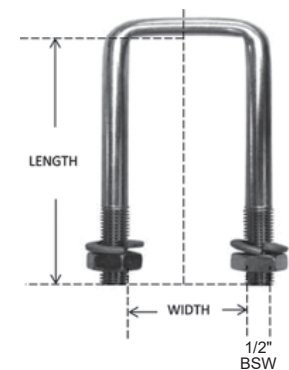
Length	Leaf	39mm	45mm	50mm
		6mm	3	UBOLT39X4RD
	4	UBOLT39X4RD	UBOLT45X4.5RD	UBOLT50X4.5RD
	5	UBOLT39X4.5RD	UBOLT45X5RD	UBOLT50X5RD
	6	UBOLT39X5RD	UBOLT45X5RD	UBOLT50X5RD
	7	UBOLT39X5RD	UBOLT45X5RD	UBOLT50X5.5RD
	9	UBOLT39X5.5RD	UBOLT45X6RD	UBOLT50X6RD
8mm	3	UBOLT39X4RD	UBOLT45X4.5RD	UBOLT50X5RD
	4	UBOLT39X5RD	UBOLT45X5RD	UBOLT50X5RD
	5	UBOLT39X5RD	UBOLT45X5RD	UBOLT50X5RD



Square U-Bolts

When using 8mm Fish Plates & 8mm Axle Pads, (For Slipper, Eye-Eye Shackle, Rocker Roller 3-7 Leaf, Tandem Eye-Eye Rocker Spring Sets)

Length	Leaf	40mm	45mm	50mm
		6mm	3	UBOLT40X4.5SQ
	4	UBOLT40X4.5SQ	UBOLT45X5SQ	UBOLT50X5SQ
	5	UBOLT40X5SQ	UBOLT45X5SQ	UBOLT50X5SQ
	6	UBOLT40X5SQ	UBOLT45X5SQ	UBOLT50X5SQ
	7	UBOLT40X5SQ	UBOLT45X5SQ	UBOLT50X5.5SQ
	9	UBOLT40X5.5SQ	UBOLT45X6SQ	UBOLT50X6.5SQ
	10	N/A	UBOLT45X6.5SQ	UBOLT50X7SQ
8mm	3	UBOLT40X4.5SQ	UBOLT45X5SQ	UBOLT50X5SQ
	4	UBOLT40X5SQ	UBOLT45X5SQ	UBOLT50X5SQ
	5	UBOLT40X5SQ	UBOLT45X5.5SQ	UBOLT50X6SQ
	6	N/A	UBOLT45X6SQ	N/A

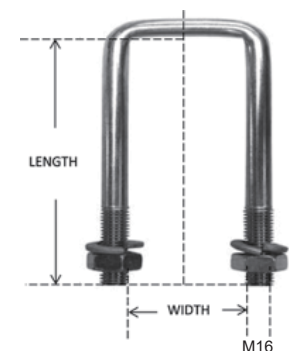


Note: 6-7 leaf Tri-Axle on 50SQ also use Heavy Duty U-bolts.

Square U-Bolts - Heavy Duty

When using 10mm Fish Plates & 10mm Axle Pads (Off Road Eye-Eye & 8-9 Leaf Rocker Roller)

Length	Leaf	45mm	50mm	63mm
		6mm	6	UBOLT45X5.5SQ58
	7	UBOLT45X6SQ58	UBOLT50X6SQ58	N/A
	8	UBOLT45X6.5SQ58	UBOLT50X6.5SQ58	N/A
	9	UBOLT45X6.5SQ58	UBOLT50X7SQ58	UBOLT63X7SQ58
	10	N/A	N/A	UBOLT63X8SQ58



Note: 6-7 leaf Tri-Axle on 50SQ also use Heavy Duty U-Bolts.